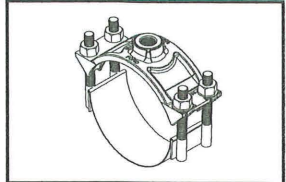
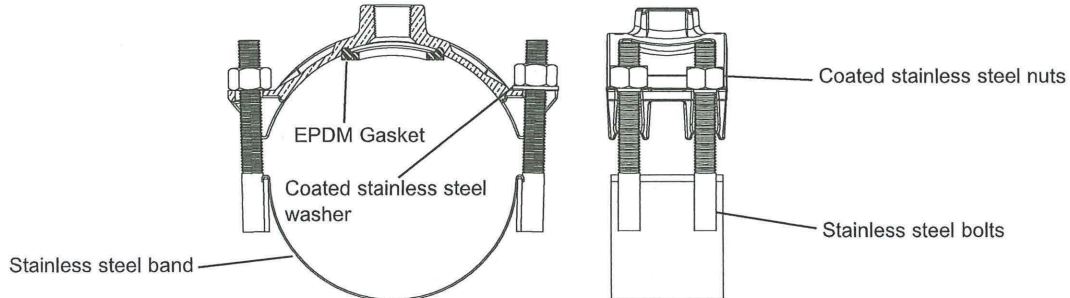


SUBMITTAL INFORMATION

Brass Saddles for C900 - (202BS-xxx-TAP-U100 style)



202BS DOUBLE BAND BRASS SADDLES FOR C900 PVC, STEEL SIZE PVC PIPE OR DUCTILE IRON PIPE



PVC PIPE SIZE	ACTUAL O.D. (IN.)	APPROX. WT. LBS.	CATALOG NUMBER	✓ SUBMITTED ITEM(S)
4"	4.80	6.6	202BS-480-TAP-U100	
*6"	6.63	7.7	202BS-663-TAP-U100	
6"	6.90	7.7	202BS-690-TAP-U100	
*8"	8.63	8.8	202BS-863-TAP-U100	
8"	9.05	8.8	202BS-905-TAP-U100	
*10"	10.75	10.7	202BS-1075-TAP-U100	
10"	11.10	10.7	202BS-1110-TAP-U100	
*12"	12.75	11.8	202BS-1275-TAP-U100	
12"	13.20	11.8	202BS-1320-TAP-U100	
**14"	15.30	18.0	202BS-1530-TAP-U100	
**16"	17.40	23.0	202BS-1740-TAP-U100	
**18"	19.50	25.0	202BS-1950-TAP-U100	
**20"	21.60	25.5	202BS-2160-TAP-U100	
**24"	25.80	26.0	202BS-2580-TAP-U100	
**30"	32.00	27.0	202BS-3200-TAP-U100	

* Sized for steel PVC with 3/4" and 1" taps only.

** Only 14" saddle and larger are available with 1-1/4" tap

OUTLET TAP CODE

CC (AWWA) THREAD		IP THREAD	
THREAD	CODE NUMBER	THREAD	CODE NUMBER
3/4" CC	CC3	3/4" IP	IP3
1" CC	CC4	1" IP	IP4
1-1/4" CC	Δ CC5	1-1/4" IP	Δ IP5
1-1/2" CC	CC6	1-1/2" IP	IP6
2" CC	CC7	2" IP	IP7

Δ Contact factory for availability

To Order: Select the catalog number for the desired pipe range and complete the catalog number by adding the outlet thread tap code.
Example: A double band saddle for 6.90 C900 PVC pipe with a 3/4" CC thread would be 202BS-690-CC3-U100.

FEATURES

- All brass conforms to AWWA Standard C800 (ASTM B62 and/or ASTM B584, UNS NO C83600-85-5-5-5)
- Band and 5/8" UNC threaded studs are made of type 304 stainless steel. Welds are fully passivated for corrosion resistance.
- Gasket is EPDM rubber per ASTM D2000
- Stainless steel nuts are coated to prevent galling
- Saddle is designed and suitable for use on both PVC and ductile iron pipe
- 100% manufactured in the United States of America

The Ford Meter Box Company considers the information in this submittal form to be correct at the time of publication. Item and option availability, including specifications, are subject to change without notice. Please verify that your product information is current. Our standard warranty applies.



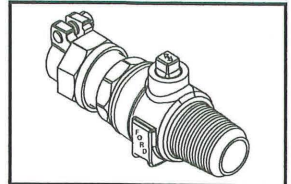
The Ford Meter Box Company, Inc.
P.O. Box 443, Wabash, Indiana U.S.A. 46992-0443
Phone: 260-563-3171 / Fax: 800-826-3487
Overseas Fax: 260-563-0167
www.fordmeterbox.com

12/05/23

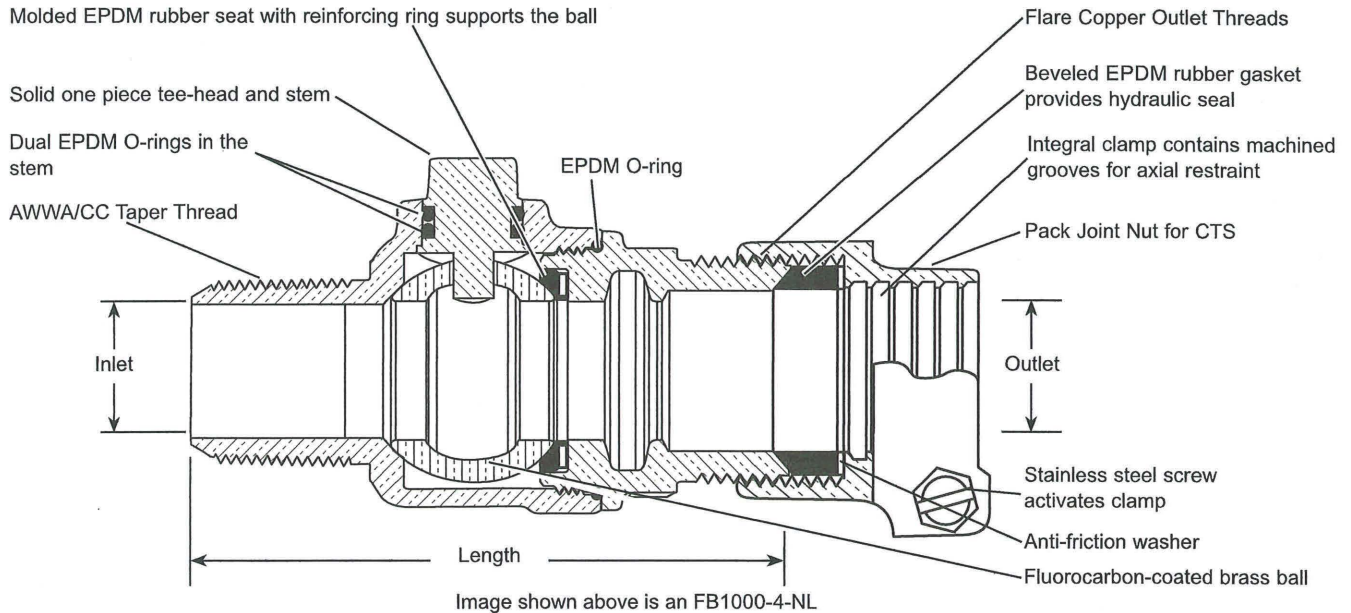
Submitted By:

SUBMITTAL INFORMATION

Ballcorp Corporation Stops - (FB1000-xx-NL style)



AWWA/CC TAPER THREAD INLET BY PACK JOINT FOR COPPER OR PLASTIC TUBING (CTS) OUTLET



VALVE SIZE	INLET SIZE	OUTLET SIZE	VALVE LENGTH	BODY OUTLET THREADS	APPROX. WT. LBS	PART NUMBER	✓ SUBMITTED ITEM(S)
3/4"	3/4"	3/4"	4-19/64"	3/4" Flare Copper	2.1	FB1000-3-NL	
3/4"	3/4"	1"	4-7/16"	1" Flare Copper	2.1	FB1000-34-NL	
1"	1"	1"	4-1/2"	1" Flare Copper	2.6	FB1000-4-NL	
1"	1"	1-1/4"	4-5/16"	1-1/4" Flare Copper	2.8	FB1000-45-NL	
1-1/4"	1-1/4"	1-1/4"	5-25/32"	1-1/4" Flare Copper	4.6	FB1000-5-NL	
1-1/4"	1-1/4"	1-1/2"	5-39/64"	1-1/2" Flare Copper	5.2	FB1000-56-NL	
1-1/2"	1-1/2"	1-1/2"	6-13/32"	1-1/2" Flare Copper	6.3	FB1000-6-NL	
1-1/2"	1-1/2"	2"	6-29/64"	2" Flare Copper	7.4	FB1000-67-NL	
2"	2"	2"	7-1/2"	2" Flare Copper	11.5	FB1000-7-NL	

Note: Ford recommends using insert stiffeners with plastic pipe or tubing.

FEATURES

- All brass that comes in contact with potable water conforms to AWWA Standard C800 (ASTM B584, UNS C89833)
- The product has the letters "NL" cast into the main body for lead-free identification
- Certified to NSF/ANSI Standard 61 and NSF/ANSI Standard 372 where applicable
- Brass components that do not come in contact with potable water conform to AWWA Standard C800 (ASTM B62 and ASTM B584, UNS C83600, 85-5-5-5)
- Ends are integral or secured with adhesive to prevent unintentional disassembly
- 300 PSI working pressure

The Ford Meter Box Company considers the information in this submittal form to be correct at the time of publication. Item and option availability, including specifications, are subject to change without notice. Please verify that your product information is current.



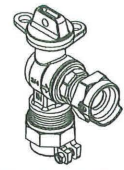
The Ford Meter Box Company, Inc.
 P.O. Box 443, Wabash, Indiana U.S.A. 46992-0443
 Phone: 260-563-3171 / Fax: 800-826-3487
 Overseas Fax: 260-563-0167
 www.fordmeterbox.com

06/02/17

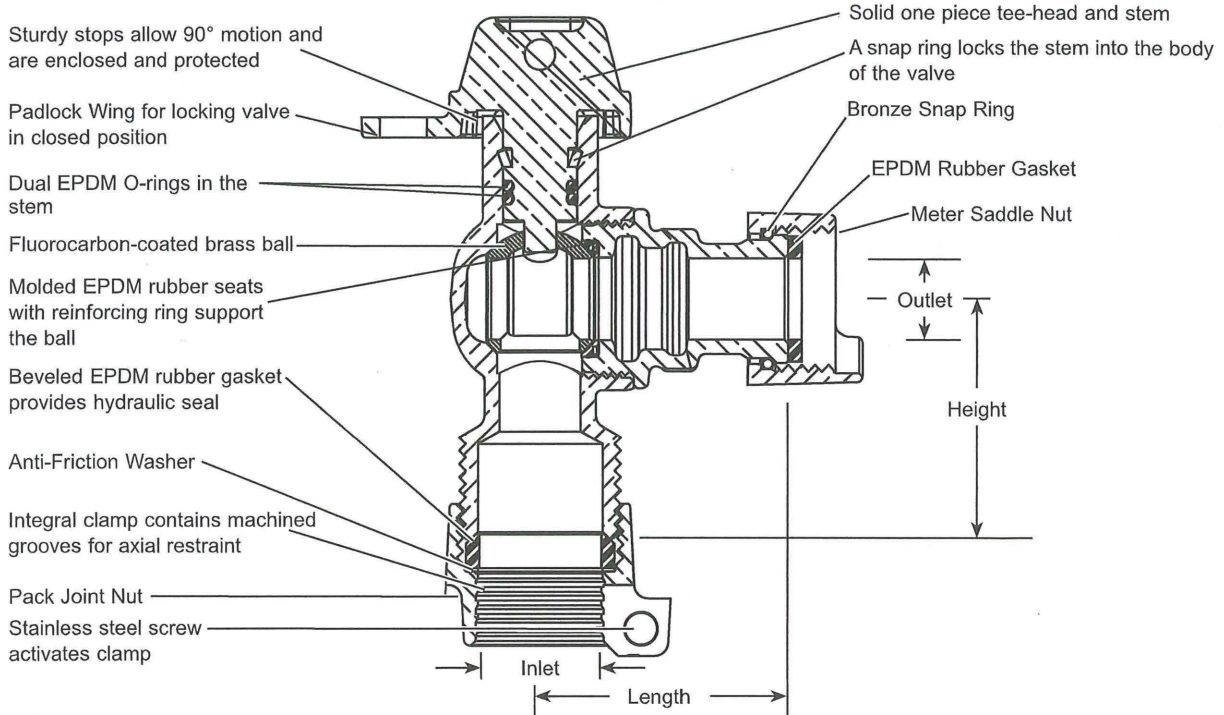
Submitted By:

SUBMITTAL INFORMATION

Angle Ball Meter Valves - (BA43-xxxW-SN-NL style)



PACK JOINT FOR COPPER OR PLASTIC TUBING (CTS) INLET BY METER SADDLE NUT OUTLET



VALVE SIZE	SERVICE LINE SIZE INLET	METER SIZE OUTLET	LENGTH	HEIGHT	APPROX. WT. LBS	PART NUMBER	✓ SUBMITTED ITEM(S)
3/4"	3/4"	5/8" x 3/4" & 3/4"	2-9/32"	1-7/8"	2.1	BA43-332W-SN-NL	
3/4"	1"	5/8" x 3/4" & 3/4"	2-9/32"	2-7/32"	2.4	BA43-342W-SN-NL	

Note: Ford recommends using insert stiffeners with plastic pipe or tubing.

FEATURES

- All brass that comes in contact with potable water conforms to AWWA Standard C800 (ASTM B584, UNS C89833)
- The product has the letters "NL" cast into the main body for lead-free identification
- Certified to NSF/ANSI/CAN Standard 61 and NSF/ANSI/CAN Standard 372 where applicable
- Brass components that do not come in contact with potable water conform to AWWA Standard C800 (ASTM B62 and ASTM B584, UNS C83600, 85-5-5-5)
- Ends are integral or secured with adhesive to prevent unintentional disassembly
- Hole for attaching handle is provided in tee-head
- 300 PSI working pressure
- Padlock wing for locking valve in closed position
- Conforms to AWWA C700 for meter threads

Note: Recommended for inlet side shut-off

Optional full 360° tee-head rotation. Add "R" to end of part number.

The Ford Meter Box Company considers the information in this submittal form to be correct at the time of publication. Item and option availability, including specifications, are subject to change without notice. Please verify that your product information is current. Our standard warranty applies.



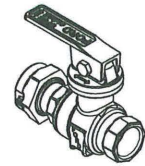
The Ford Meter Box Company, Inc.
 P.O. Box 443, Wabash, Indiana U.S.A. 46992-0443
 Phone: 260-563-3171 / Fax: 800-826-3487
 Overseas Fax: 260-563-0167
 www.fordmeterbox.com

11/20/23

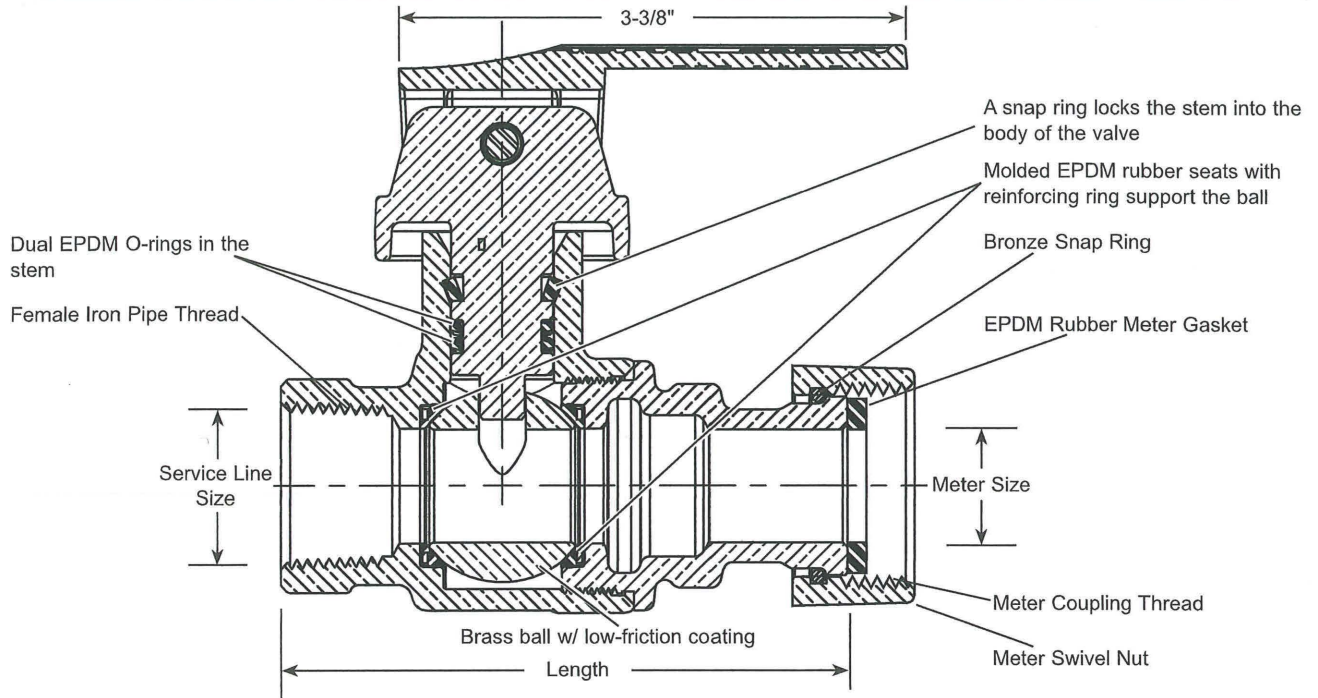
Submitted By:

SUBMITTAL INFORMATION

Straight Ball Meter Valves - (B13-xxx-HB-34S-NL style)



FEMALE IRON PIPE THREAD BY METER SWIVEL NUT VALVE WITH HANDLE



VALVE SIZE	SERVICE LINE SIZE	METER NUT SIZE	LENGTH	APPROX. WT. LBS	PART NUMBER	✓ SUBMITTED ITEM(S)
3/4"	3/4"	5/8" x 3/4" or 3/4"	3-49/64"	2.1	B13-332-HB-34S-NL	
3/4"	1"	5/8" x 3/4" or 3/4"	3-7/8"	2.2	B13-342-HB-34S-NL	
3/4"	1"	1"	3-37/64"	2.5	B13-344-HB-34S-NL	
1"	1"	1"	4-25/64"	2.9	B13-444-HB-34S-NL	

FEATURES

- All brass that comes in contact with potable water conforms to AWWA Standard C800 (ASTM B584, UNS C89833)
- The product has the letters "NL" cast into the main body for lead-free identification
- Certified to NSF/ANSI Standard 61 and NSF/ANSI Standard 372 where applicable
- Brass components that do not come in contact with potable water conform to AWWA Standard C800 (ASTM B62 and ASTM B584, UNS C83600, 85-5-5-5)
- Valve is non-directional and is watertight with flow in either direction
- Ends are integral or secured with adhesive to prevent unintentional disassembly
- 300 PSI working pressure
- **Optional full 360° tee head rotation.** Insert "R" into part number
- Handle provides easy cycling of a straight or angle ball valve
- Brass handle attached with bolt and nut

The Ford Meter Box Company considers the information in this submittal form to be correct at the time of publication. Item and option availability, including specifications, are subject to change without notice. Please verify that your product information is current. Our standard warranty applies.



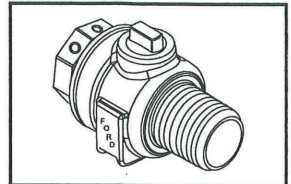
The Ford Meter Box Company, Inc.
 P.O. Box 443, Wabash, Indiana U.S.A. 46992-0443
 Phone: 260-563-3171 / Fax: 800-826-3487
 Overseas Fax: 260-563-0167
 www.fordmeterbox.com

08/26/20

Submitted By:

SUBMITTAL INFORMATION

Ballcorp Corporation Stops - (FB1700-x-NL style)



MALE IRON PIPE THREAD INLET BY FEMALE IRON PIPE OUTLET

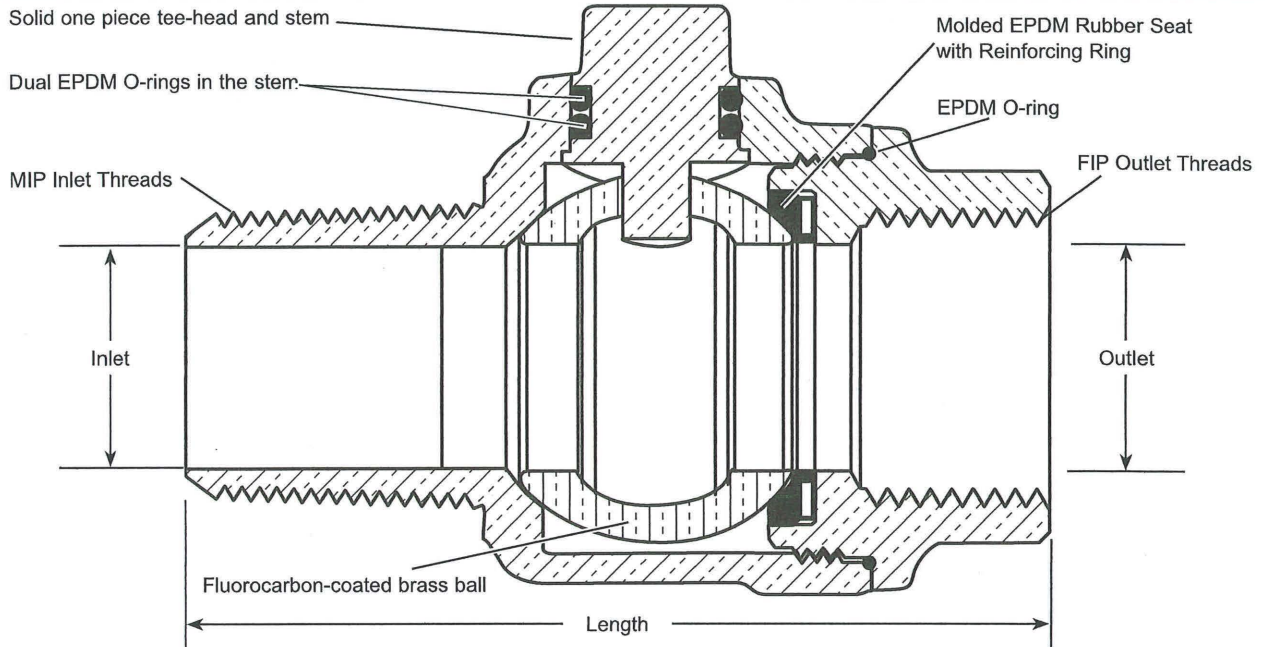


Image shown above is an FB1700-4-NL

VALVE SIZE	INLET SIZE	OUTLET SIZE	VALVE LENGTH	BODY OUTLET THREADS	APPROX. WT. LBS	PART NUMBER	✓ SUBMITTED ITEM(S)
3/4"	3/4"	3/4"	3-17/32"	3/4" FIP	1.5	FB1700-3-NL	
3/4"	3/4"	1"	3-51/64"	1" FIP	1.1	FB1700-34-NL	
1"	1"	1"	3-49/64"	1" FIP	2.3	FB1700-4-NL	
1"	1"	1-1/4"	3-57/64"	1-1/4" FIP	2.5	FB1700-45-NL	
1-1/4"	1-1/4"	1-1/4"	4-31/64"	1-1/4" FIP	3.1	FB1700-5-NL	
1-1/4"	1-1/4"	1-1/2"	4-21/32"	1-1/2" FIP	3.9	FB1700-56-NL	
1-1/2"	1-1/2"	1-1/2"	5-3/32"	1-1/2" FIP	4.0	FB1700-6-NL	
1-1/2"	1-1/2"	2"	5-11/32"	2" FIP	5.5	FB1700-67-NL	
2"	2"	2"	5-27/32"	2" FIP	6.3	FB1700-7-NL	
2"	2"	2-1/2"	6-3/8"	2-1/2" FIP	7.1	FB1700-78-NL	

FEATURES

- All brass that comes in contact with potable water conforms to AWWA Standard C800 (ASTM B584, UNS C89833)
- The product has the letters "NL" cast into the main body for lead-free identification
- Certified to NSF/ANSI Standard 61 and NSF/ANSI Standard 372 where applicable
- Brass components that do not come in contact with potable water conform to AWWA Standard C800 (ASTM B62 and ASTM B584, UNS C83600, 85-5-5-5)
- Ends are integral or secured with adhesive to prevent unintentional disassembly
- 300 PSI working pressure

The Ford Meter Box Company considers the information in this submittal form to be correct at the time of publication. Item and option availability, including specifications, are subject to change without notice. Please verify that your product information is current.



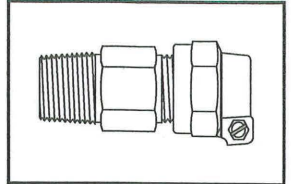
The Ford Meter Box Company, Inc.
 P.O. Box 443, Wabash, Indiana U.S.A. 46992-0443
 Phone: 260-563-3171 / Fax: 800-826-3487
 Overseas Fax: 260-563-0167
 www.fordmeterbox.com

07/31/17

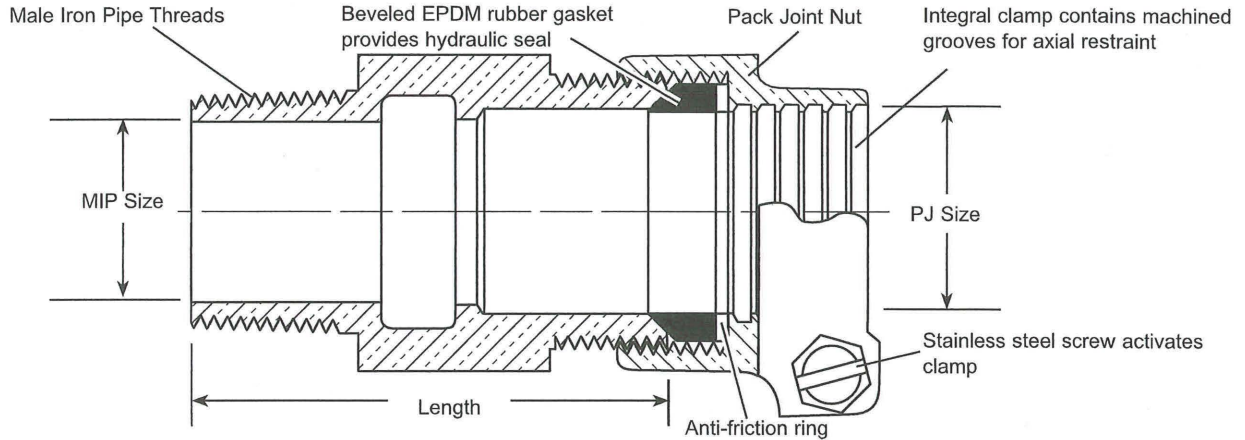
Submitted By:

SUBMITTAL INFORMATION

Pack Joint Coupling - (C84-xx-NL style)



MALE IRON PIPE BY PACK JOINT FOR COPPER OR PLASTIC TUBING (CTS)



DESCRIPTION		LENGTH	APPROX. Wt. LBS	PART NUMBER	✓ SUBMITTED ITEM(S)
MALE IRON PIPE	P.J. FOR CTS				
1/2"	1/2"	2"	0.5	C84-11-NL	
1/2"	5/8"	2-1/16"	0.8	C84-12-NL	
1/2"	3/4"	2-1/16"	0.8	C84-13-NL	
3/4"	1/2"	2"	0.8	C84-31-NL	
3/4"	5/8"	-	0.7	C84-32-NL	
3/4"	3/4"	2-1/4"	0.6	C84-33-NL	
3/4"	1"	2-3/8"	0.7	C84-34-NL	
1"	5/8"	-	0.7	C84-42-NL	
1"	3/4"	2-3/8"	0.7	C84-43-NL	
1"	1"	2-9/16"	0.8	C84-44-NL	
1"	1-1/4"	2-1/2"	1.2	C84-45-NL	
1"	1-1/2"	2-9/16"	1.8	C84-46-NL	
1-1/4"	1"	2-9/16"	1.4	C84-54-NL	
1-1/4"	1-1/4"	2-9/16"	1.4	C84-55-NL	
1-1/4"	1-1/2"	3-1/4"	1.8	C84-56-NL	
1-1/2"	1-1/2"	3-1/4"	2.0	C84-66-NL	
1-1/2"	2"	2-15/16"	2.6	C84-67-NL	
2"	2"	3-1/4"	3.1	C84-77-NL	

Note: Ford recommends using insert stiffeners with plastic pipe or tubing.

FEATURES

- All brass that comes in contact with potable water conforms to AWWA Standard C800 (ASTM B584, UNS C89833)
- The product has the letters "NL" cast into the main body for lead-free identification
- Certified to NSF/ANSI Standard 61 and NSF/ANSI Standard 372 where applicable
- Brass components that do not come in contact with potable water conform to AWWA Standard C800 (ASTM B62 and ASTM B584, UNS C83600, 85-5-5-5)
- Sleeve design provides hexagonal wrench flats for proper installation

The Ford Meter Box Company considers the information in this submittal form to be correct at the time of publication. Item and option availability, including specifications, are subject to change without notice. Please verify that your product information is current.



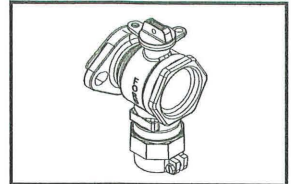
The Ford Meter Box Company, Inc.
 P.O. Box 443, Wabash, Indiana U.S.A. 46992-0443
 Phone: 260-563-3171 / Fax: 800-826-3487
 Overseas Fax: 260-563-0167
 www.fordmeterbox.com

02/09/15

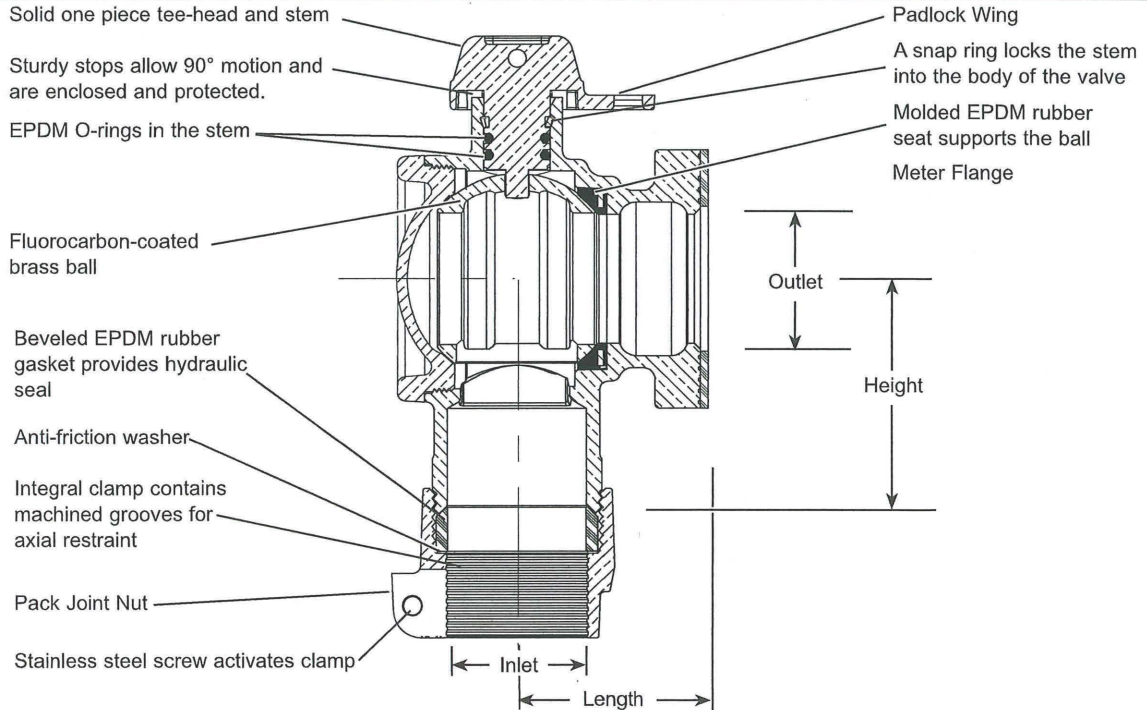
Submitted By:

SUBMITTAL INFORMATION

Angle Ball Flange Meter Valves - (BFA43-xxxW-NL style)



PACK JOINT FOR COPPER OR PLASTIC TUBING (CTS) INLET BY METER FLANGE OUTLET



VALVE SIZE	SERVICE LINE SIZE INLET	METER SIZE OUTLET	LENGTH	HEIGHT	APPROX. WT. LBS	PART NUMBER	✓ SUBMITTED ITEM(S)
1-1/2"	1-1/2"	1-1/2"	2-1/2"	3-13/32"	7.8	BFA43-666W-NL	
2"	2"	2"	2-13/16"	3-5/8"	10.8	BFA43-777W-NL	

Note: Ford recommends using insert stiffeners with plastic pipe or tubing.

FEATURES

- All brass that comes in contact with potable water conforms to AWWA Standard C800 (UNS No. C89833)
 - The product has the letters "NL" cast into the main body for lead-free identification
 - Certified to NSF/ANSI Standard 61 and NSF/ANSI Standard 372 where applicable
 - Brass components that do not come in contact with potable water conform to AWWA Standard C800 (ASTM B62 and ASTM B584, UNS No. C83600, 85-5-5-5)
 - Padlock Wing for locking valve in closed position
 - Hole for attaching handle is provided in the tee head
 - 300 PSI working pressure
 - Includes EPDM drop-in style meter gasket
 - Suitable for customer side shut off (outlet side of meter) up to 300 PSI
 - Slotted holes are standard on 2" Flanged Meter Valves, allowing 1-1/2" Flange Meter connection
- Optional:** Full 360° tee head rotation. Insert "R" into the part number. Example: BFA43-777WR-NL
 Meter support brackets. Insert "-MSB" into the part number
 Example: BFA43-777W-MSB-NL

The Ford Meter Box Company considers the information in this submittal form to be correct at the time of publication. Item and option availability, including specifications, are subject to change without notice. Please verify that your product information is current.



The Ford Meter Box Company, Inc.
 P.O. Box 443, Wabash, Indiana U.S.A. 46992-0443
 Phone: 260-563-3171 / Fax: 800-826-3487
 Overseas Fax: 260-563-0167
 www.fordmeterbox.com

03/28/14

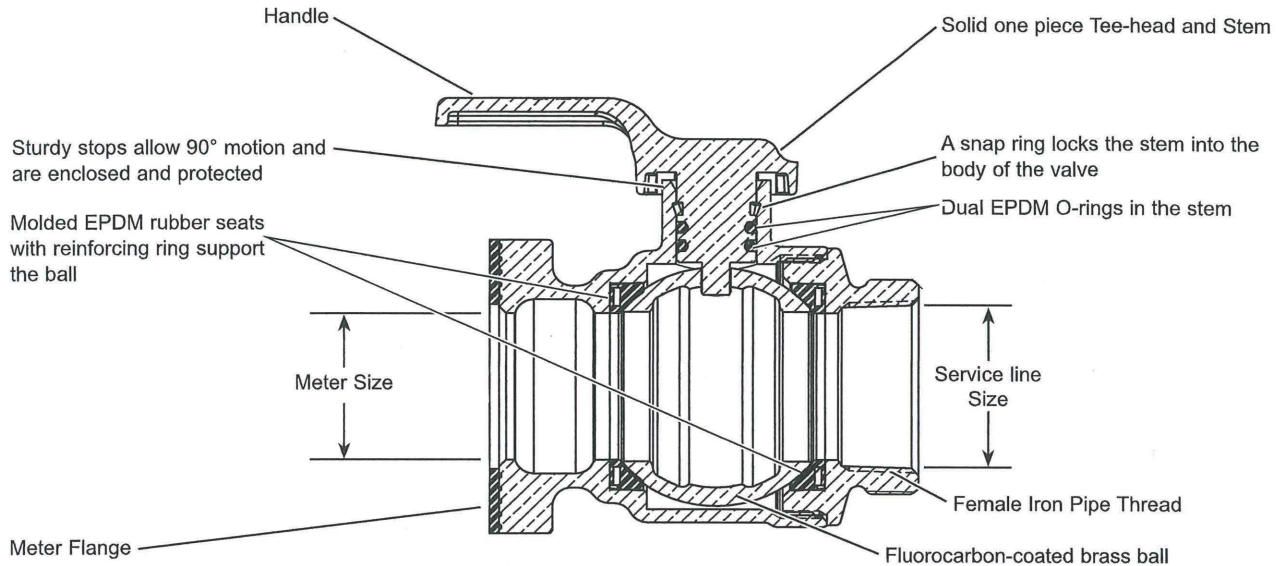
Submitted By:

SUBMITTAL INFORMATION

Straight Ball Flange Meter Valves - (BF13-xxx-HT-67S-NL style)



FEMALE IRON PIPE THREAD INLET BY METER FLANGE OUTLET



VALVE SIZE	SERVICE LINE SIZE	METER SIZE	LENGTH	APPROX. WT. LBS	PART NUMBER	✓ SUBMITTED ITEM(S)
1-1/2"	1-1/2"	1-1/2"	4-3/4"	6.5	BF13-666-HT-67S-NL	
2"	2"	1-1/2" and 2"	5-29/64"	8.7	BF13-777-HT-67S-NL	

FEATURES

- All brass that comes in contact with potable water conforms to AWWA Standard C800 (ASTM B584, UNS C89833)
- The product has the letters "NL" cast into the main body for lead-free identification
- Certified to NSF/ANSI Standard 61 and NSF/ANSI Standard 372 where applicable
- Brass components that do not come in contact with potable water conform to AWWA Standard C800 (ASTM B62 and ASTM B584, UNS C83600, 85-5-5-5)
- Valve is non-directional and is watertight with flow in either direction
- Ends are integral or secured with adhesive to prevent unintentional disassembly
- 300 PSI working pressure
- Furnished with flat drop-in meter gasket
- Slotted holes are standard on 2" Flanged Meter Valves, allowing 1-1/2" flange meter connection
- Brass handle attached with bolt and nut

Optional Meter Support Brackets. Add "-MSB" to part number

Optional full 360° tee-head rotation. Add "R" to part number

The Ford Meter Box Company considers the information in this submittal form to be correct at the time of publication. Item and option availability, including specifications, are subject to change without notice. Please verify that your product information is current.



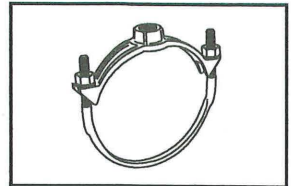
The Ford Meter Box Company, Inc.
 P.O. Box 443, Wabash, Indiana U.S.A. 46992-0443
 Phone: 260-563-3171 / Fax: 800-826-3487
 Overseas Fax: 260-563-0167
 www.fordmeterbox.com

12/21/16

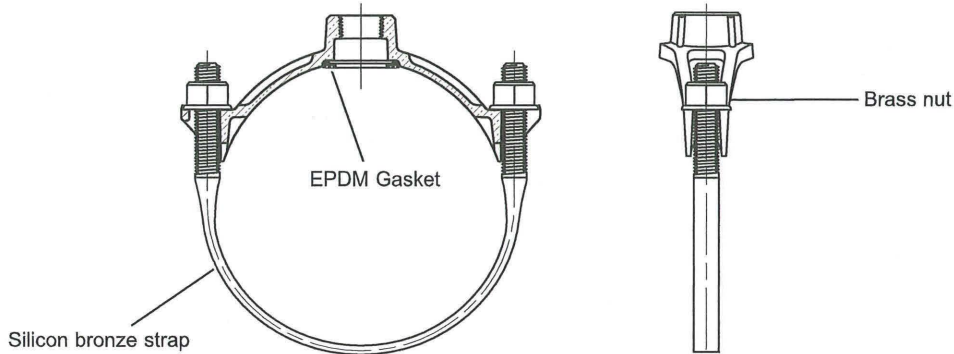
Submitted By:

SUBMITTAL INFORMATION

Brass Saddles - (101B-xxx-xxx style)



101B SINGLE STRAP BRASS SADDLES



NOM. PIPE SIZE	O.D. RANGE	APPROX. WT. LBS.	TAP SIZE & TYPE	CATALOG NUMBER	✓ SUBMITTED ITEM(S)
4"	4.80 - 5.40	3.0	3/4" AWWA	101B-540-CC3	
			1" AWWA	101B-540-CC4	
			3/4" IP	101B-540-IP3	
			1" IP	101B-540-IP4	
*6"	6.90 - 7.50	3.8	3/4" AWWA	101B-750-CC3	
			1" AWWA	101B-750-CC4	
			3/4" IP	101B-750-IP3	
			1" IP	101B-750-IP4	
8"	9.05 - 9.62	4.4	3/4" AWWA	101B-962-CC3	
			1" AWWA	101B-962-CC4	
			3/4" IP	101B-962-IP3	
			1" IP	101B-962-IP4	
10"	11.10 - 12.12	5.4	3/4" AWWA	101B-1212-CC3	
			1" AWWA	101B-1212-CC4	
			3/4" IP	101B-1212-IP3	
			1" IP	101B-1212-IP4	
12"	13.20 - 14.38	5.9	3/4" AWWA	101B-1438-CC3	
			1" AWWA	101B-1438-CC4	
			3/4" IP	101B-1438-IP3	
			1" IP	101B-1438-IP4	

* Available with a 1-1/4" tap. Contact factory for details.

FEATURES

- All brass conforms to AWWA Standard C800 (ASTM B62 and ASTM B584, UNS NO C83600 - 85-5-5-5)
- Straps are 5/8" high quality silicon bronze flattened to provide a wider bearing surface against pipe
- Gasket is EPDM rubber ASTM D2000
- 200 PSI rated working water pressure

The Ford Meter Box Company considers the information in this submittal form to be correct at the time of publication. Item and option availability, including specifications, are subject to change without notice. Please verify that your product information is current.



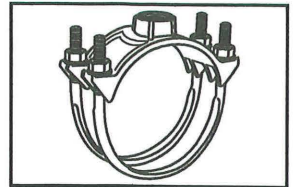
The Ford Meter Box Company, Inc.
 P.O. Box 443, Wabash, Indiana U.S.A. 46992-0443
 Phone: 260-563-3171 / Fax: 800-826-3487
 Overseas Fax: 260-563-0167
 www.fordmeterbox.com

09/20/13

Submitted By:

SUBMITTAL INFORMATION

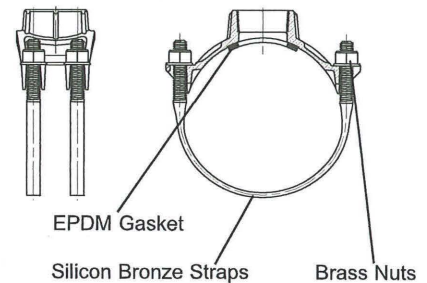
Brass Saddles - (202B-xxx-TAP style)



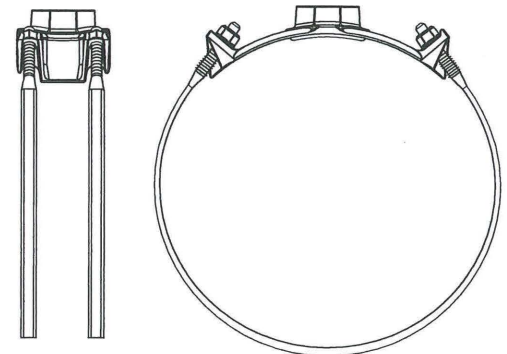
202B DOUBLE STRAP BRASS SADDLES FOR AC AND DUCTILE IRON PIPE

NOM. PIPE SIZE	O.D. RANGE (IN.)	APPROX. WT. LBS.	CATALOG NUMBER	✓ SUBMITTED ITEM(S)
*4"	4.80 - 5.40	6.6	202B-540-TAP	
	4.80 - 5.10	7.3	202B-510-TAP	
	5.10 - 5.40	7.3	202B-540-TAP	
**6"	6.90 - 7.50	7.7	202B-750-TAP	
8"	9.05 - 9.62	8.8	202B-962-TAP	
10"	11.10 - 12.12	10.7	202B-1212-TAP	
12"	13.20 - 14.38	11.8	202B-1438-TAP	
**14"	15.30 - 16.25	18.0	202B-1625-TAP	
**16"	16.30 - 17.25	19.1	202B-1725-TAP	
	17.40 - 18.40	23.0	202B-1840-TAP	
	18.50 - 19.25	24.0	202B-1925-TAP	
**18"	19.50 - 20.50	25.0	202B-2050-TAP	
**20"	21.20 - 22.20	25.5	202B-2220-TAP	
	22.50 - 23.50	25.7	202B-2350-TAP	
**24"	23.80 - 24.80	26.0	202B-2480-TAP	
	25.60 - 26.50	26.5	202B-2650-TAP	
**30"	31.74 - 32.74	27.0	202B-3274-TAP	

4" - 12"



14" - 30"



OUTLET TAP CODE

CC (AWWA) THREAD		IP THREAD		✓ SUBMITTED ITEM(S)
THREAD	CODE NUMBER	THREAD	CODE NUMBER	
3/4" CC	CC3	3/4" IP	IP3	
1" CC	CC4	1" IP	IP4	
1-1/4" CC	Δ CC5	1-1/4" IP	Δ IP5	
1-1/2" CC	CC6	1-1/2" IP	IP6	
2" CC	CC7	2" IP	IP7	

Δ Contact factory for availability

* **Please Note:** 4" Saddles with 2" taps have a limited range. Specifically, 4.80"-5.10" or 5.10"-5.40". All other tap sizes have the standard 4.80"-5.40" range.

** Only the 6" (6.90"-7.50" range) saddle and 14" saddles and larger are available with a 1-1/4" tap.

To Order: Select the catalog number for the desired pipe range and complete the catalog number by adding the outlet thread tap code. Example: A double strap saddle for 6.90" D.I. pipe with a 3/4" CC thread would be 202B-750-CC3.

FEATURES

- All brass conforms to AWWA Standard C800 (ASTM B62 and ASTM B584, UNS C83600, 85-5-5-5)
- Straps are 5/8" high quality silicon bronze flattened to provide a wider bearing surface against pipe
- Gasket is EPDM rubber per ASTM D2000

The Ford Meter Box Company considers the information in this submittal form to be correct at the time of publication. Item and option availability, including specifications, are subject to change without notice. Please verify that your product information is current. Our standard warranty applies.



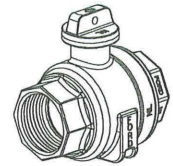
The Ford Meter Box Company, Inc.
 P.O. Box 443, Wabash, Indiana U.S.A. 46992-0443
 Phone: 260-563-3171 / Fax: 800-826-3487
 Overseas Fax: 260-563-0167
 www.fordmeterbox.com

12/12/19

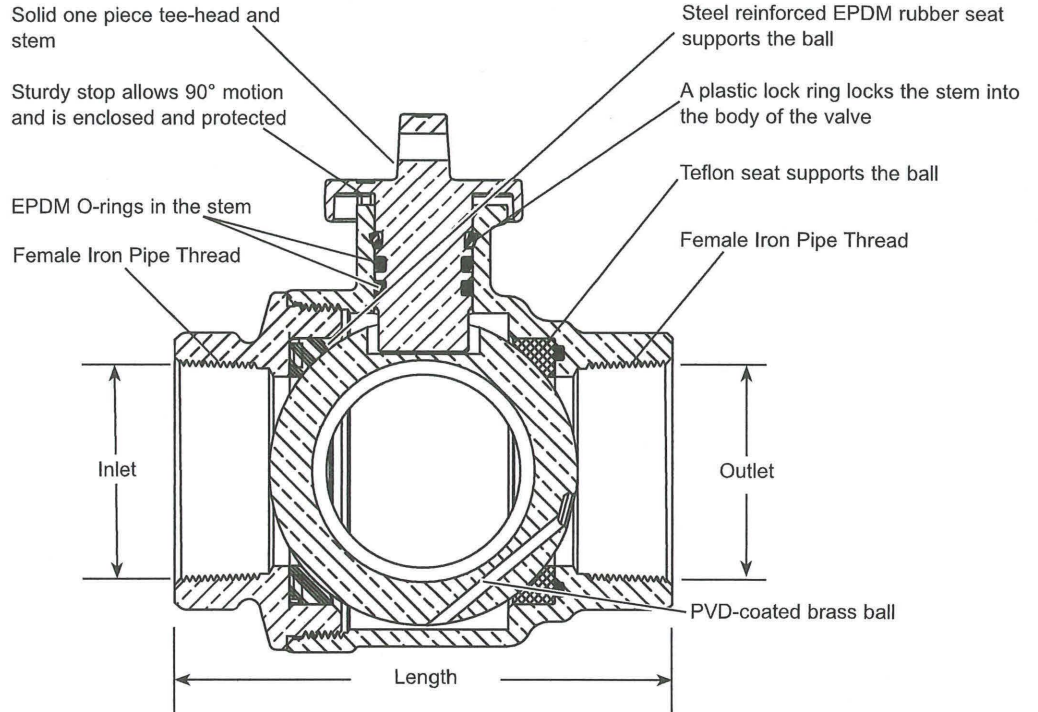
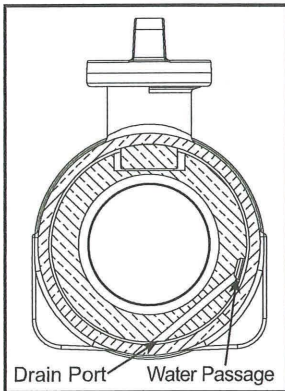
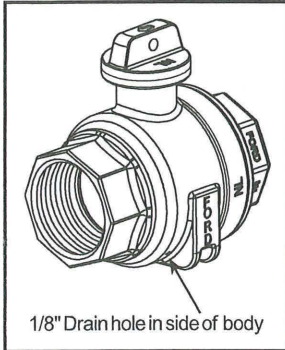
Submitted By:

SUBMITTAL INFORMATION

Ball Valve Curb Stop with Stop and Waste - (BC11-xxxSW-NL style)



FEMALE IRON PIPE THREAD INLET AND OUTLET



VALVE SIZE	INLET SIZE	OUTLET SIZE	LENGTH	APPROX. Wt. LBS	PART NUMBER	✓ SUBMITTED ITEM(S)
1-1/2"	1-1/2"	1-1/2"	4-15/32"	5.3	BC11-666SW-NL	
2"	2"	2"	5-1/4"	7.1	BC11-777SW-NL	

FEATURES

- All brass that comes in contact with potable water conforms to AWWA Standard C800 (ASTM B584, UNS C89833)
- The product has the letters "NL" cast into the main body for lead-free identification
- Brass components that do not come in contact with potable water conform to AWWA Standard C800 (ASTM B62 and ASTM B584, UNS C83600, 85-5-5-5)
- Ends are integral or secured with adhesive to prevent unintentional disassembly
- Hole for attaching curb box rod or handle is provided in tee-head

The Ford Meter Box Company considers the information in this submittal form to be correct at the time of publication. Item and option availability, including specifications, are subject to change without notice. Please verify that your product information is current. Our standard warranty applies.



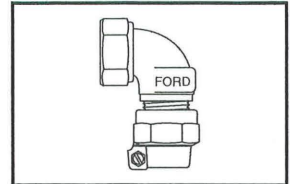
The Ford Meter Box Company, Inc.
 P.O. Box 443, Wabash, Indiana U.S.A. 46992-0443
 Phone: 260-563-3171 / Fax: 800-826-3487
 Overseas Fax: 260-563-0167
 www.fordmeterbox.com

08/30/23

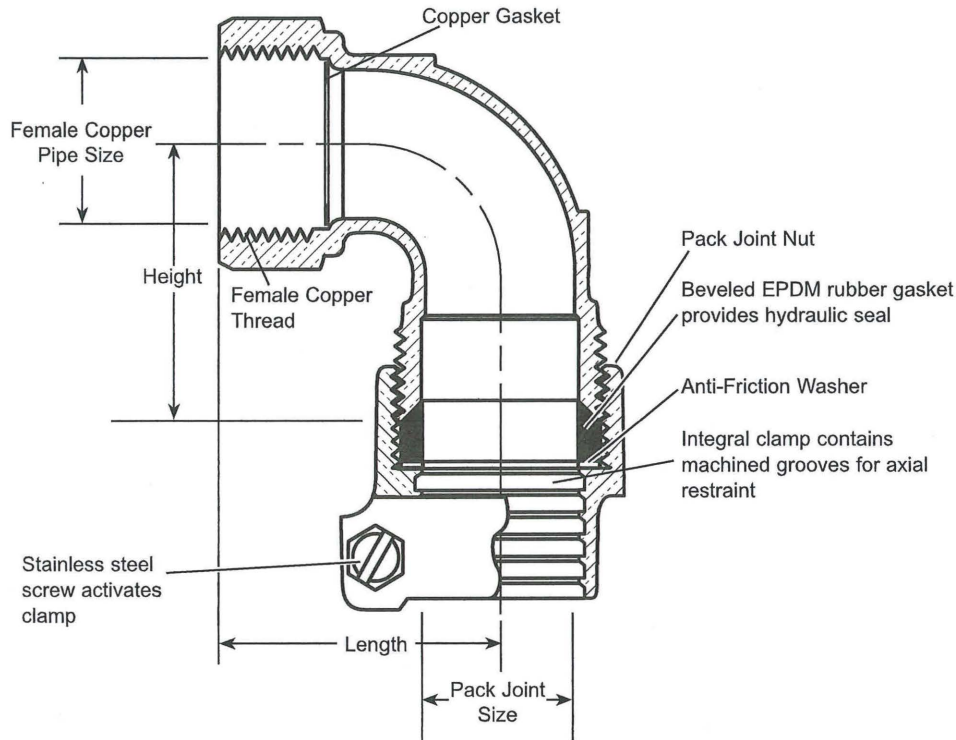
Submitted By:

SUBMITTAL INFORMATION

Corporation Stop Quarter Bend - (L04-xx-NL style)



FEMALE COPPER THREAD INLET BY PACK JOINT FOR COPPER OR PLASTIC TUBING (CTS) OUTLET



CORP SIZE	DESCRIPTION		LENGTH	HEIGHT	APPROX. WT. LBS	PART NUMBER	✓ SUBMITTED ITEM(S)
	FEMALE COPPER	P.J. FOR CTS					
3/4"	3/4"	3/4"	1-3/4"	1-7/8"	0.8	L04-33-NL	
3/4"	3/4"	1"	1-3/4"	1-13/16"	0.9	L04-34-NL	
1"	1"	1"	2-5/16"	1-7/8"	1.2	L04-44-NL	
1-1/2"	1-1/2"	1-1/2"	2-5/8"	2-9/16"	3.5	L04-66-NL	
2"	2"	2"	3-1/4"	3-1/4"	6.6	L04-77-NL	

Note: Ford recommends using insert stiffeners with plastic pipe or tubing.

FEATURES

- All brass that comes in contact with potable water conforms to AWWA Standard C800 (ASTM B584, UNS C89833)
- The product has the letters "NL" cast into the main body for lead-free identification
- Certified to NSF/ANSI Standard 61 and NSF/ANSI Standard 372 where applicable
- Brass components that do not come in contact with potable water conform to AWWA Standard C800 (ASTM B62 and ASTM B584, UNS C83600, 85-5-5-5)
- Fits F600, F700 Corporation Stops and FB600, FB700 Ballcorps
- Copper gasket included to ensure proper inlet seal

The Ford Meter Box Company considers the information in this submittal form to be correct at the time of publication. Item and option availability, including specifications, are subject to change without notice. Please verify that your product information is current.



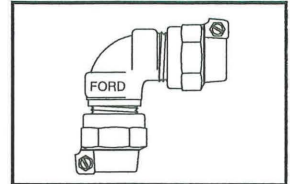
The Ford Meter Box Company, Inc.
 P.O. Box 443, Wabash, Indiana U.S.A. 46992-0443
 Phone: 260-563-3171 / Fax: 800-826-3487
 Overseas Fax: 260-563-0167
 www.fordmeterbox.com

10/13/16

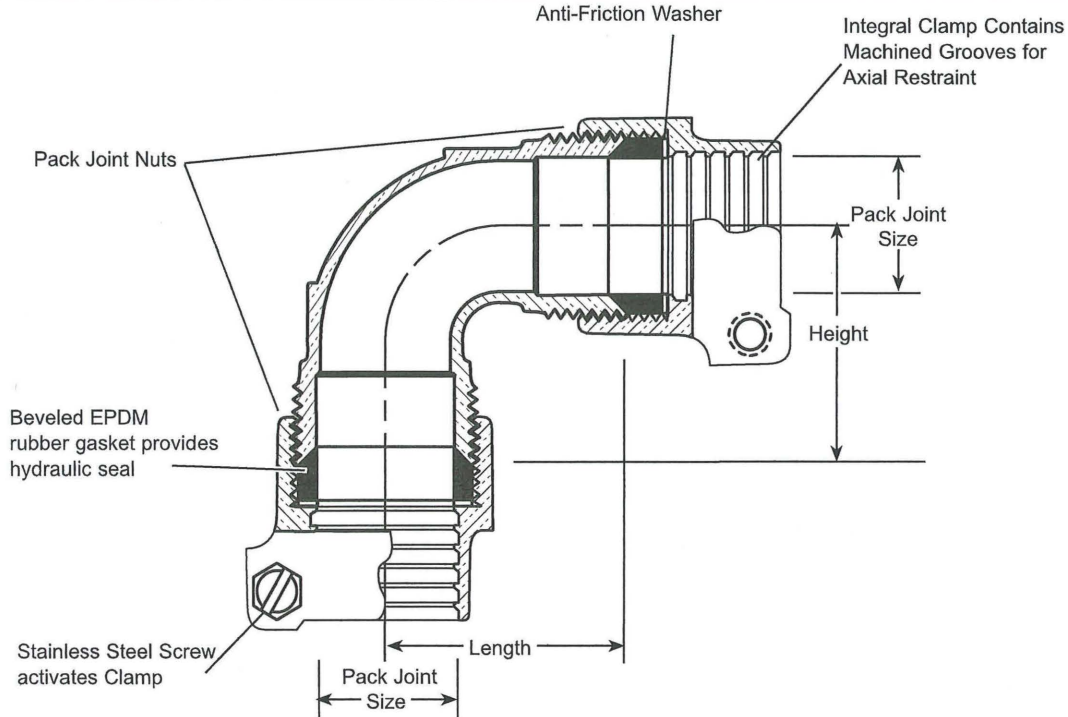
Submitted By:

SUBMITTAL INFORMATION

Pack Joint Ell Coupling - (L44-xx-NL style)



PACK JOINT FOR COPPER OR PLASTIC TUBING (CTS) BOTH ENDS



DESCRIPTION		LENGTH	HEIGHT	APPROX. Wt. LBS	PART NUMBER	✓ SUBMITTED ITEM(S)
P.J. FOR CTS	P.J. FOR CTS					
3/4"	3/4"	1-5/8"	1-5/8"	1.0	L44-33-NL	
3/4"	1"	1-3/4"	1-3/4"	1.1	L44-34-NL	
1"	1"	2"	2"	1.3	L44-44-NL	
1-1/4"	1-1/4"	2"	2"	2.3	L44-55-NL	
1-1/2"	1-1/2"	2-7/16"	2-7/16"	3.6	L44-66-NL	
2"	2"	3-11/16"	3-11/16"	9.3	L44-77-NL	

Note: Ford recommends using insert stiffeners with plastic pipe or tubing.

FEATURES

- All brass that comes in contact with potable water conforms to AWWA Standard C800 (ASTM B584, UNS C89833)
- The product has the letters "NL" cast into the main body for lead-free identification
- Certified to NSF/ANSI Standard 61 and NSF/ANSI Standard 372 where applicable
- Brass components that do not come in contact with potable water conform to AWWA Standard C800 (ASTM B62 and ASTM B584, UNS C83600, 85-5-5-5)

The Ford Meter Box Company considers the information in this submittal form to be correct at the time of publication. Item and option availability, including specifications, are subject to change without notice. Please verify that your product information is current.

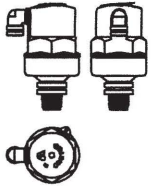


The Ford Meter Box Company, Inc.
 P.O. Box 443, Wabash, Indiana U.S.A. 46992-0443
 Phone: 260-563-3171 / Fax: 800-826-3487
 Overseas Fax: 260-563-0167
 www.fordmeterbox.com

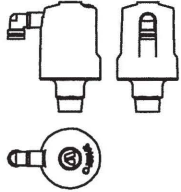
Submitted By:

10/12/16

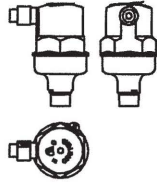
D-040 DN25



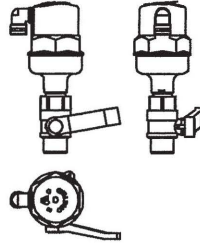
D-040-C DN25



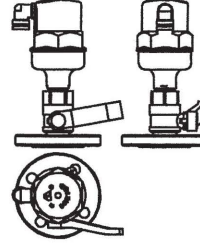
D-040 DN25
ONE WAY OUT/IN



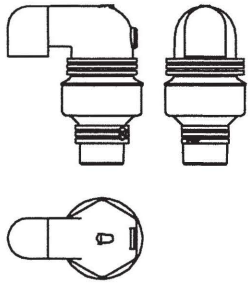
D-040 DN25
WITH TAP



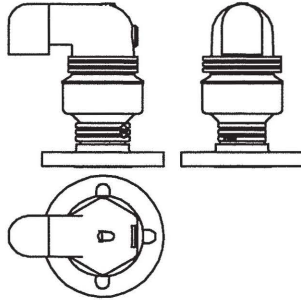
D-040 DN25
WITH TAP&FLANGE



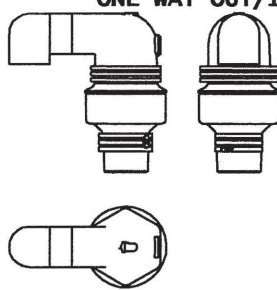
D-040 DN50



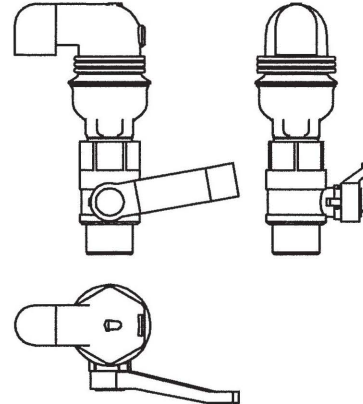
D-040 DN50



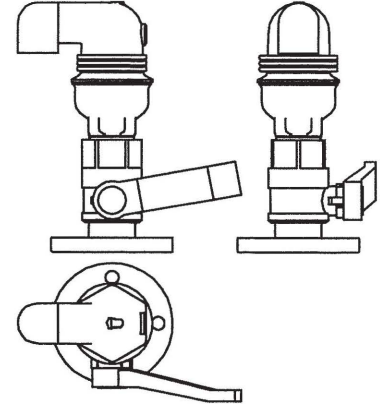
D-040 DN50
ONE WAY OUT/IN/NS



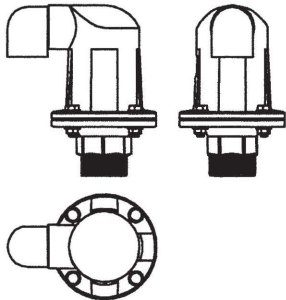
D-040 DN50
WITH TAP



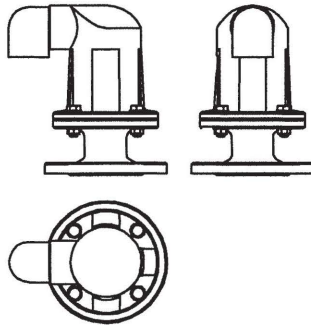
D-040 DN50
WITH TAP&FLANGE



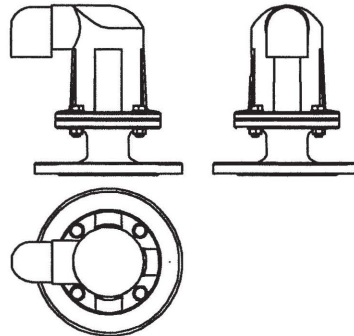
D-040-C DN50



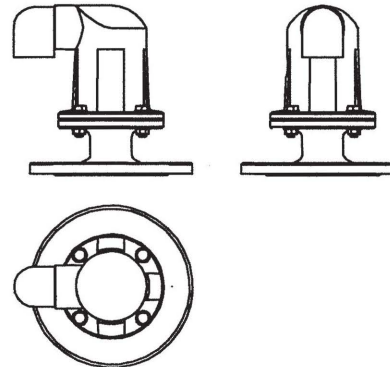
D-040-C DN50



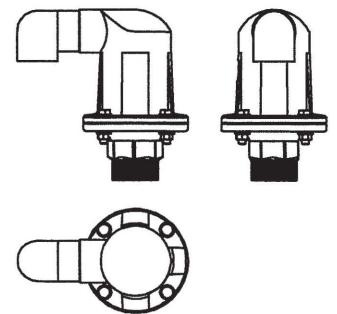
D-040-C DN80

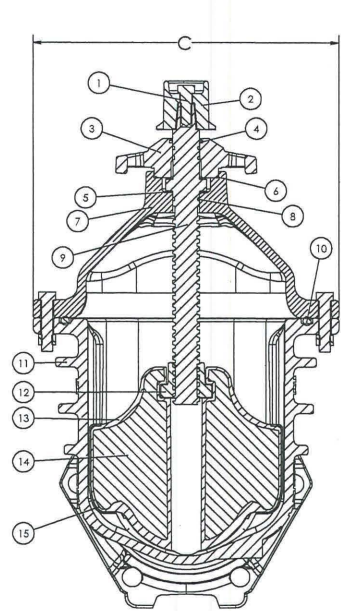


D-040-C DN100



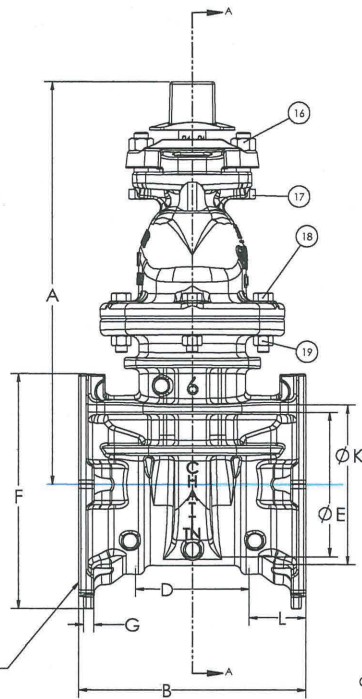
D-040-C DN50
ONE WAY OUT/IN/NS





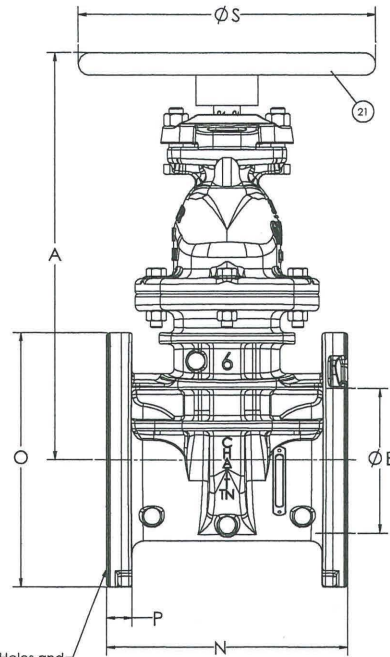
SECTION A-A - TYPICAL

H - No. and Size of Holes and Slots Equally Spaced on
 ϕ J - Bolt Circle 2 MJ Ends



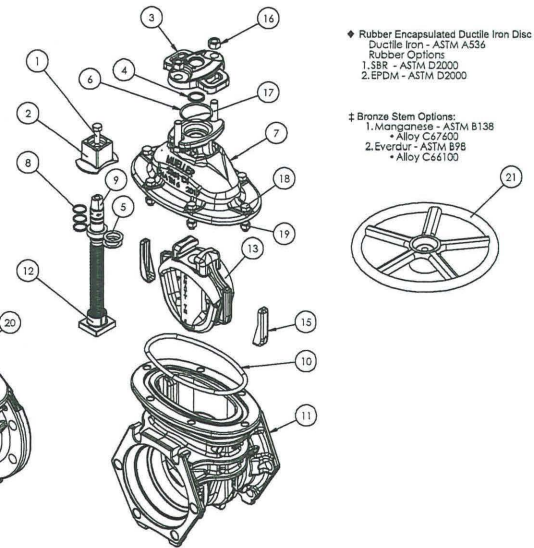
MECH JOINT ENDS - MJ x MJ

Q - No. and Size of Holes and Slots Equally Spaced on
 ϕ R - Bolt Circle 2 FL Ends



FLANGE ENDS - FL x FL

ITEM NO.	DESCRIPTION	B. QTY.	MATERIAL	ASTM	NOTES
1	Cap Screw	1		F593	Group 2 - CW
2	Wrench Nut	1	Ductile Iron	A536	
3	Stuffing Box	1	Ductile Iron	A536	
4	Wiper Ring [dirt seal]	1	Thermoplastic Polyurethane	D412/ D424 D2240/D772	HY-52D
5	Anti-friction Washer	2	Acetal		
6	Stuffing Box O-Ring	1	Nitrile Rubber		R34
7	Bonnet	1	Ductile Iron	A536	
8	Stem O-ring	3	Nitrile Rubber		R34
9	Stem	1	Bronze	‡	See Note
10	Bonnet O-ring	1	Nitrile Rubber		R34
11	Body MJ Ends	1	Ductile Iron	A536	
12	Stem Nut	1	Bronze	B584	CB983 / NSF 372
13	Encapsulated Disc	1	‡	D2000	See Note
14	Disc Casting	1	Ductile Iron	A536	
15	Guide Cap	2			
18		2	316 Stainless Steel	F594	Group 2 - CW
19	Stuffing Box Bolts	2	316 Stainless Steel	F593	Group 2 - SH
17	Bonnet Bolts	"M"	316 Stainless Steel	F593	Group 2 - SH
16	Bonnet Nuts	"M"	316 Stainless Steel	F594	Group 2 - CW
20	Body Fl. Ends		Ductile Iron	A536	
21	Handwheel		Ductile Iron	A536	



‡ Rubber Encapsulated Ductile Iron Disc
 Ductile Iron - ASTM A536
 Rubber Options:
 1. SBR - ASTM D2000
 2. EPDM - ASTM D2000

‡ Bronze Stem Options:
 1. Monagmet - ASTM B138
 • Alloy C67600
 2. Everglut - ASTM B98
 • Alloy C66102

APPROVED
 By MATTHEW SLIGER at 10:20 pm, Oct 16, 2018

ECO# 2205739

Valve Size	A	B	C	D	ϕ E (thru ϕ)	F	G	H	ϕ J (Bolt Circle ϕ)	ϕ K	L	M	Turns to Open	Weight MJ x MJ	N	O	P	Q	ϕ R (Bolt Circle ϕ)	ϕ S	Weight FL x FL
4	14.19	9.5	10.79	4.50	4.30	8.40	0.50	4-0.88	7.50	4.90	2.50	4	14	75	9.00	9.00	1.00	8-0.75	7.50	11	85
6	18.00	10	13.5	5.00	6.30	10.41	0.45	6-0.88	9.50	7.00	2.50	6	20.5	124	10.50	11.25	1.13	8-0.88	9.50	13	145
8	21.50	10.5	16.36	5.50	8.30	12.68	0.50	6-0.88	11.75	9.15	2.50	6	26.5	181	11.50	13.50	1.15	8-0.88	11.75	14	208
10	25.50	11.5	20	6.50	10.30	15.24	0.62	8-0.88	14.00	11.20	2.50	8	33	270	13.00	16.00	1.29	12-1.00	14.25	16	310
12	28.62	12	21	7.00	12.30	18.024	0.62	8-0.88	16.25	13.30	2.50	8	38.5	345	14.00	19.00	1.33	12-1.00	17.00	16	420

MUELLER CONFIDENTIAL
 TITLE TO AND OWNERSHIP OF THIS ENGINEERING DATA REMAINS IN MUELLER CO. NO USE IS TO BE MADE OF THIS DATA WITHOUT THE EXPRESS WRITTEN PERMISSION OF MUELLER CO. RECEIPTS TO THESE CONDITIONS IS PRESUMED.

UNLESS OTHERWISE SPECIFIED: DIMENSIONS ARE IN INCHES TOLERANCES:
 ANGULAR: ± TWO DECIMAL; ± THREE DECIMAL; *

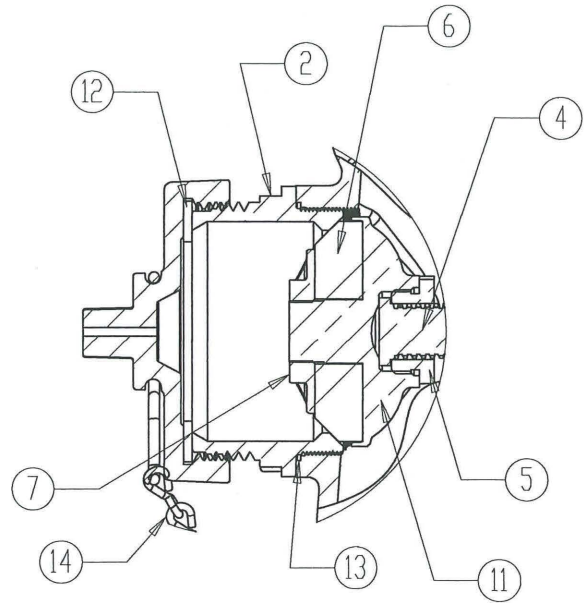
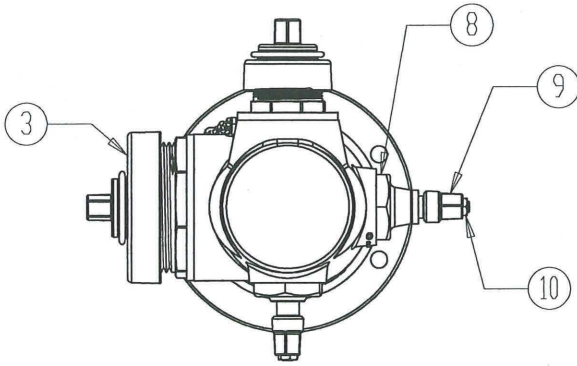
Mueller Co.

MATERIALS SEE TABLE
 FINISH

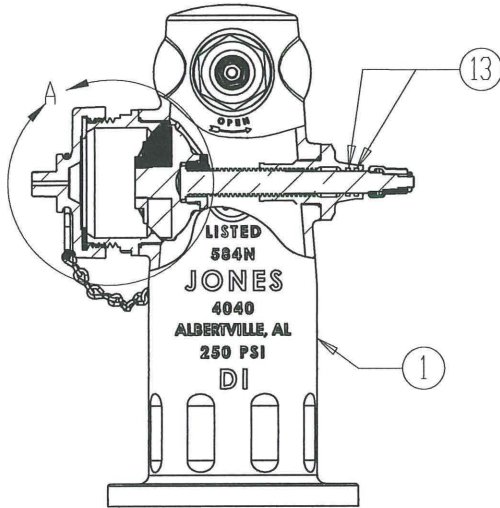
NAME	DATE
JMH	9/1/2016
AO	
MS	
MS	

DESCR.	SIZE	DWG. NO.	REV
2361 RWGV 350W w/ 316 Fasteners	D	7334	A
SCALE:	WEIGHT (lbs):	SEE TABLE	SHEET 1 OF 1

DO NOT SCALE DRAWING



DETAIL A
SCALE 1 : 4



HYDRANT DESCRIPTION		
PART #	NOZZLE CONFIGURATON	FLANGE PATTERN
J4040AR	4 $\frac{1}{2}$ " X 2 $\frac{1}{2}$ "	6 - Ø.75" HOLES, 9.38" DBC
J4040BR	4" X 2 $\frac{1}{2}$ "	8 - Ø.88" HOLES, 9.5" DBC
J4040CR	4" X 2 $\frac{1}{2}$ "	6 - Ø.88" HOLES, 9.5" DBC
J4040DR	4" X 2 $\frac{1}{2}$ "	6 - Ø.75" HOLES, 9.38" DBC
J4040ER	4 $\frac{1}{2}$ " X 2 $\frac{1}{2}$ "	8 - Ø.88" HOLES, 9.5" DBC



PARTS LIST:

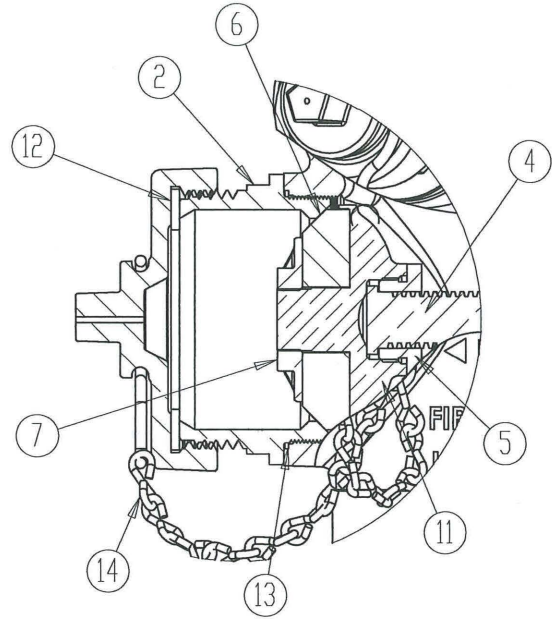
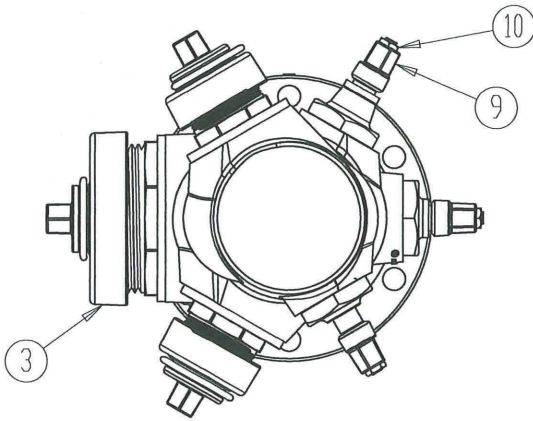
ID	PART NAME	MATERIAL
1	HYDRANT BODY	DUCTILE IRON ASTM A536 GR. 65-45-12
2	NOZZLE INSERTS	BRASS ASTM B584 ALLOY C89833
3	HOSE CAPS	CAST IRON ASTM A126 CLASS B
4	HYDRANT STEM	SILICON BRONZE ASTM B584 C87600
5	STEM LOCKNUT	BRASS ASTM B584 ALLOY C89833
6	BEVELED HYDRANT DISC	BUNA-N
7	HYDRANT DISC LOCKNUT	BRASS ASTM B584 ALLOY C89833
8	STEM INSERT	BRASS ASTM B584 ALLOY C89833
9	PENT NUT	BRASS ASTM B584-UNS C87600
10	PENT NUT RETAINER	COPPER ALLOY UNS C83600
11	HYDRANT DISC HOLDER	BRASS ASTM B584 ALLOY C89836
12	NOZZLE GASKET	NEOPRENE
13	O-RINGS	BUNA-N
14	CHAIN	ZINC COATED STEEL

PRODUCT FEATURES:

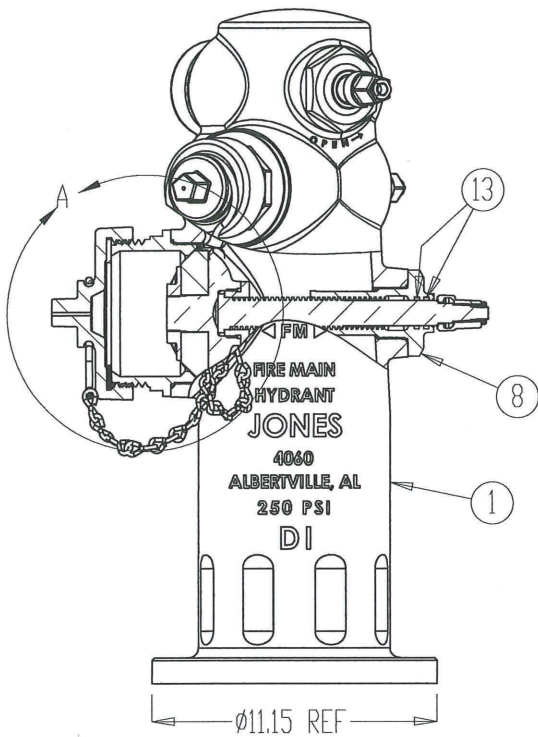
	FEATURE DESCRIPTION
1	MEETS OR EXCEEDS ANSI/AWWA C503
2	INDIVIDUAL STEM OPERATION
3	LIMITED NUMBER OF INTERNAL PARTS
4	NOZZLE THREADS CONFORM TO NFPA 1963, NH/NST
5	REMOVABLE NOZZLE DESIGN
6	AVAILABLE IN A VARIETY OF BOLT HOLE PATTERNS
7	LOW ZINC SILICON BRONZE STEMS
8	HEAVY DUTY DISC HOLDER
9	PRODUCT RATED UP TO 250 PSI; HYDROSTATICALLY TESTED AT 500 PSI
10	O-RING CONSTRUCTION IN STEM INSERT
11	EPOXY COATED INTERIOR MEETS AWWA C550 AND NSF 61
12	10 YEAR LIMITED WARRANTY
13	5" STORZ PUMPER NOZZLE AVAILABLE
14	

Approvals:

Date:



DETAIL A
SCALE 1 : 4



HYDRANT DESCRIPTION		
PART #	NOZZLE CONFIGURATON	FLANGE PATTERN
J4060AR	4 $\frac{1}{2}$ " X 2 $\frac{1}{2}$ " X 2 $\frac{1}{2}$ "	6 - 0.75" HOLES, 9.38" DBC
J4060BR	4" X 2 $\frac{1}{2}$ " X 2 $\frac{1}{2}$ "	8 - 0.88" HOLES, 9.5" DBC
J4060CR	4" X 2 $\frac{1}{2}$ " X 2 $\frac{1}{2}$ "	6 - 0.88" HOLES, 9.5" DBC
J4060DR	4" X 2 $\frac{1}{2}$ " X 2 $\frac{1}{2}$ "	6 - 0.75" HOLES, 9.38" DBC
J4060ER	4 $\frac{1}{2}$ " X 2 $\frac{1}{2}$ " X 2 $\frac{1}{2}$ "	8 - 0.88" HOLES, 9.5" DBC



250 PSI RATING

APPROVED



250 PSI RATING

PARTS LIST:

ID	PART NAME	MATERIAL
1	HYDRANT BODY	DUCTILE IRON ASTM A536 GR. 65-45-12
2	NOZZLE INSERTS	BRASS ASTM B584 ALLOY C89833
3	HOSE CAPS	CAST IRON ASTM A126 CLASS B
4	HYDRANT STEM	SILICON BRONZE ASTM B584 C87600
5	STEM LOCKNUT	BRASS ASTM B584 ALLOY C89833
6	BEVELED HYDRANT DISC	BUNA-N
7	HYDRANT DISC LOCKNUT	BRASS ASTM B584 ALLOY C89833
8	STEM INSERT	BRASS ASTM B584 ALLOY C89833
9	PENT NUT	BRASS ASTM B584 ALLOY C87600
10	PENT NUT RETAINER	COPPER ALLOY UNS C83600
11	HYDRANT DISC HOLDER	BRASS ASTM B584 ALLOY C89836
12	NOZZLE GASKET	NEOPRENE
13	O-RINGS	BUNA-N
14	CHAIN	ZINC COATED STEEL

PRODUCT FEATURES:

	FEATURE DESCRIPTION
1	MEETS OR EXCEEDS ANSI/AWWA C503
2	INDIVIDUAL STEM OPERATION
3	LIMITED NUMBER OF INTERNAL PARTS
4	NOZZLE THREADS CONFORM TO NFPA 1963, NH/NST
5	REMOVABLE NOZZLE DESIGN
6	AVAILABLE IN A VARIETY OF BOLT HOLE PATTERNS
7	LOW ZINC SILICON BRONZE STEMS
8	HEAVY DUTY DISC HOLDER
9	PRODUCT RATED UP TO 250 PSI; HYDROSTATICALLY TESTED AT 500 PSI
10	O-RING CONSTRUCTION IN STEM INSERT
11	EPOXY COATED INTERIOR MEETS AWWA C550 AND NSF 61
12	10 YEAR LIMITED WARRANTY
13	5" STORZ PUMPER NOZZLE AVAILABLE
14	

Approvals:

Date:

PENETRON ADMIX[®] RP

CRYSTALLINE PERMEABILITY-REDUCING ADMIXTURE PROTECTION FROM AGGRESSIVE CHEMICALS AND CORROSION

DESCRIPTION

PENETRON ADMIX[®] RP (Red Pigment integral crystalline waterproofing admix) is added to the concrete mix at the time of batching. It is typically used in the precast industry and includes a red pigment that makes it easy for visual inspection at a distance. PENETRON ADMIX[®] RP consists of Portland cement and various active proprietary chemicals. The active proprietary ingredients in PENETRON ADMIX[®] RP react with the moisture in fresh concrete, as well as with the by-products of cement hydration, to cause a catalytic reaction, which generates a non-soluble crystalline formation throughout the pores and capillary tracts of the concrete. Thus, the concrete becomes permanently sealed against the penetration of water or liquids from any direction and is protected from attack by aggressive chemicals and corrosive effects on steel reinforcing.

PENETRON ADMIX[®] RP has been specially formulated to meet varying project and temperature conditions (see *Setting time and strength*). Consult with a Penetron Technical Representative for additional detailed support on your project.

APPLICATIONS

Sewers and manholes

Precast structures, such as vaults, septic tanks, pipes and culverts

DIRECTIONS FOR USE

Dosage rate:

PENETRON ADMIX[®] RP is designed to be dosed at the rate of one soluble bag per cubic yard (0.8 m³). Consult with Penetron Technical Department for assistance in verifying the appropriate dosage rate and for further information regarding enhanced chemical resistance and optimum concrete performance for your project.

Mixing:

PENETRON ADMIX[®] RP must be added to the concrete at the time of batching.

The sequence of procedures for addition will vary according to the type of batch plant operation and equipment. The following are some typical mixing guidelines. For more detailed information on dosing procedures, contact your Penetron representative.

Ready mix plant - Dry batch operation: Add PENETRON ADMIX[®] RP directly into the drum of the ready-mix truck immediately before charging the drum with 60%-70% of the required mix water, along with 300-500 lb (136-227 kg) of aggregate. Mix the materials for 2-3 minutes to ensure PENETRON ADMIX[®] RP is distributed evenly throughout the mix water. Add the balance of materials to the ready-mix truck in accordance with standard batching practices.

Ready mix plant - Central mix operation: Ideally, PENETRON ADMIX[®] RP should be added directly into the central mix drum. However, when this is impractical or unsafe, PENETRON ADMIX[®] RP can be added directly into the drum of the ready-mix truck immediately before charging with concrete. The dosed concrete should be allowed to mix for at least 70 revolutions at standard mixing speeds (approximately 5 minutes) to ensure even distribution of PENETRON ADMIX[®] RP throughout the concrete.

Precast batch plant: Add PENETRON ADMIX[®] RP to the rock and sand, then mix thoroughly for 2-3 minutes before adding cement and water. The total concrete mass should be blended using standard practices. Consult with a Penetron Technical Representative to determine if PENETRON ADMIX[®] RP would suit your precast batch plant operation.

NOTE: It is important to obtain a homogeneous mixture of PENETRON ADMIX[®] RP with the concrete. For further information regarding the proper use of PENETRON ADMIX[®] RP for a specific project, consult with a Penetron Technical Representative.

Setting time and strength:

The setting time of concrete is affected by the chemical and physical composition of ingredients, temperature of the concrete and climatic conditions. Retardation of set may occur when using PENETRON ADMIX[®] RP. The amount of retardation will depend upon the concrete mix design and the dosage rate of PENETRON ADMIX[®] RP. However, under normal conditions,

PENETRON ADMIX® RP

PENETRON ADMIX® RP will provide a normal set concrete. Concrete containing PENETRON ADMIX® RP may develop higher ultimate strengths than plain concrete. Trial mixes should be carried out under project conditions to determine setting time and strength of the concrete.

Concrete treated with PENETRON ADMIX® RP should be placed and finished in accordance with good concrete practices. NPCA and ACI guidelines and recommendations should be observed.

SPECIAL CONSIDERATIONS

When incorporating PENETRON ADMIX® RP, the temperature of the concrete mix should be above 40°F (4°C).

PACKAGING

PENETRON ADMIX® RP is available in 6.6-lb (3-kg) soluble bags, packed 3 bags to a plastic pail.

STORAGE / SHELF LIFE

PENETRON products must be stored dry at a minimum temperature of 45°F (7°C). Shelf life is one year when stored under proper conditions.

TECHNICAL SERVICES

For more detailed instructions, alternative application methods, or information concerning the compatibility of the PENETRON treatment with other products or technologies, contact the Penetron Technical Department or your local Penetron representative.

SAFE HANDLING INFORMATION

PENETRON ADMIX® RP is alkaline. As a cementitious powder or mixture, PENETRON ADMIX® RP may cause significant skin and eye irritation. Directions for treating these problems are clearly detailed on the Safety Data Sheet. Penetron International Ltd. maintains comprehensive and up-to-date Safety Data Sheets on all its products. Each sheet contains health and safety information for the protection of your employees and customers. KEEP OUT OF REACH OF CHILDREN.

Contact Penetron International, Ltd. or your local Penetron representative to obtain copies of Safety Data Sheets prior to product storage or use.

ADVANTAGES

Highly resistant to aggressive chemicals

Improves corrosion resistance

Can seal hairline cracks up to 1/51" (0.5 mm)

Resists extreme hydrostatic pressure from either positive or negative surface of the concrete slab

Becomes an integral part of the concrete

Less expensive than other options

Permanent

Added to the concrete at time of batching and therefore not subject to climatic restraints

Improves durability of concrete

Permeability Reducing Admixture for Hydrostatic conditions (PRAH)

Zero VOC -PENETRON powdered products contain zero volatile organic compounds and are safe for use both outdoors and in confined indoor spaces

Exceeds requirements of ASTM C494-S (Specific Performance Admixtures)



004aCPR2013-07-10

EN 934-2

Penetron International, Ltd.
601 South Tenth Street, Unit 300
Allentown, PA 18103
08

PENETRON ADMIX
Crystalline Capillary Admixture
Water Resisting Admixture

Chloride content: < 0,10 % by mass

Alkali content: < 10,3 % by mass

Compressive strength: ≥ 85 % of control

Conventional dry material content: > 99,5 %

Air content in fresh concrete: ≤ 2 % by volume

Capillary Absorption (after 90 day curing): ≤ 60 % by mass

WARRANTY: PENETRON INTERNATIONAL, LTD. warrants that the products manufactured by it shall be free from material defects and will conform to formulation standards and contain all components in their proper proportion. Should any of the products be proven defective, the liability to PENETRON INTERNATIONAL, LTD. shall be limited to replacement of the material proven to be defective, and PENETRON INTERNATIONAL, LTD. shall in no case be liable otherwise or for incidental or consequential damages. PENETRON INTERNATIONAL, LTD. MAKES NO WARRANTY AS TO MERCHANTABILITY OR FITNESS FOR A PARTICULAR PURPOSE AND THIS WARRANTY IS IN LIEU OF ALL OTHER WARRANTIES EXPRESSED OR IMPLIED. User shall determine the suitability of the product for its intended use and assume all risks and liability in connection therewith.

PENETRON INTERNATIONAL, LTD.
45 Research Way, Suite 203, East Setauket, NY 11733
(631) 941-9700 • info@penetron.com • penetron.com



BioMIC

ANTIMICROBIAL CONCRETE ADMIXTURE

DESCRIPTION

BioMIC is an antimicrobial admixture added to the concrete mix at the time of batching. It forms a molecular bond with the concrete, preventing microbial-induced corrosion (MIC) damage and inhibiting the growth of other product-damaging and odor-causing microorganisms, such as bacteria, algae and fungi.

BioMIC's technology is an EPA registered microbistatic agent that ruptures microbe cell walls on contact. This complete electro-physical destruction of the microbes that come in contact with it does not deplete BioMIC, and, as it is also leach resistant, it will not migrate through the concrete, retaining its effectiveness indefinitely.

APPLICATIONS

Wastewater and water treatment, sewer and drainage cast-in-place applications and other such applications.

Manholes, pipes, tanks and other such precast structures used in wastewater and water treatment, sewer and drainage applications.

Shotcrete related applications in wastewater and water treatment, sewer and drainage applications.

Concrete and mortar repairs where protection from microbial-induced-corrosion is required.

ADVANTAGES

Protects concrete against bio-damage caused by hydrogen sulfide gas (H₂S).

Electro-physical destruction mechanism destroys the bacteria cell walls. Repeated contact with bacteria will not lessen BioMIC's effectiveness.

Becomes an active and integral part of the entire concrete structure, so it remains effective even if the surface is abraded.

Contains no heavy metals or carcinogens.

Broad-spectrum protection, including gram positive and gram negative bacteria, fungi, mildew and algae.

Kills the entire family of Thiobacillus strain on contact for the service life of the concrete.

BioMIC is designed to be used alone or in combination with PENETRON ADMIX®.

TOTAL CONCRETE PROTECTION®

DIRECTIONS FOR USE

Dosage rate:

For prevention and protection against high levels of microbial-induced-corrosion, it is recommended that BioMIC be dosed at a rate of one gallon per cubic yard (1 gal/yd³, 5 L/m³) of concrete, replacing one gallon of mix water per cubic yard (1 gal/yd³, 5L/m³) of concrete.

Mixing:

Trial mixes should be carried out under project conditions to confirm individual plastic and hardened properties of the concrete. Concrete treated with BioMIC should be placed and finished in accordance with good concrete practices. ACI guidelines and recommendations should be observed.

SPECIAL CONSIDERATIONS

When incorporating BioMIC, the temperature of the concrete mix should be above 40°F (4°C).

PACKAGING

BioMIC is available in 55-gallon (208-l) drums and 275-gallon (1041-l) totes.

STORAGE / SHELF LIFE

BioMIC should be protected from freezing. If product does freeze, it should be discarded. Shelf life is one year when stored in original unopened container at or below 77°F (25°C).

SAFE HANDLING INFORMATION

BioMIC may cause moderate skin and eye irritation. Penetron International, Ltd. maintains comprehensive and up-to-date Safety Data Sheets on all its products. Each sheet contains health and safety information for the protection of your employees and customers. KEEP OUT OF REACH OF CHILDREN.

Contact Penetron International, Ltd. or your local Penetron representative to obtain copies of Safety Data Sheets prior to product storage or use.

WARRANTY: PENETRON INTERNATIONAL, LTD. warrants that the products manufactured by it shall be free from material defects and will conform to formulation standards and contain all components in their proper proportion. Should any of the products be proven defective, the liability to PENETRON INTERNATIONAL, LTD. shall be limited to replacement of the material proven to be defective, and PENETRON INTERNATIONAL, LTD shall in no case be liable otherwise or for incidental or consequential damages. PENETRON INTERNATIONAL, LTD. MAKES NO WARRANTY AS TO MERCHANTABILITY OR FITNESS FOR A PARTICULAR PURPOSE AND THIS WARRANTY IS IN LIEU OF ALL OTHER WARRANTIES EXPRESSED OR IMPLIED. User shall determine the suitability of the product for its intended use and assume all risks and liability in connection therewith.

PENETRON INTERNATIONAL, LTD.

45 Research Way, Suite 203, East Setauket, NY 11733
(631) 941-9700 • info@penetron.com • penetron.com

PENEBAR™ PRIMER

PERFORMED SEALANT BOND ENHANCER

DESCRIPTION

PENEBAR™ PRIMER enhances the bonding between a preformed sealant such as PENEBAR™ SW, and the concrete surface, aiding in the installation process.

APPLICATIONS

Concrete
Metal
PVC

ADVANTAGES

Can be conveniently applied at the job site
Can be applied to various substrates in horizontal, vertical, and overhead applications
Can be applied to "green" concrete or to a damp surface

PHYSICAL PROPERTIES

Color:

Bright orange

Percent solids:

30% minimum

Solvent type:

Water

Dry time @ 25°C (77°F):

10 minutes

Dry time @ 4°C (40°F):

60 minutes

Coverage:

3.8 l (1 gallon) covers 240 m (787 ft)

0.47 l (1 pint) covers 30 m (98 ft)

PENEBAR™ PRIMER actual coverage depends upon substrate porosity and absorption.

Minimal application temperature:

4°C (40°F)

Surface when dry:

Tacky

DIRECTIONS FOR USE

Surface preparation:

Carefully brush off all dust and debris. Ensure surfaces to receive PENEBAR™ PRIMER are free from all types of curing agents, oil and grease.

Installation:

Using a brush apply PENEBAR™ PRIMER in a stripe with a minimum width of 50 mm (2") to the entire surface length to receive PENEBAR™ SW.

Allow PENEBAR™ PRIMER to dry for 10 to 15 minutes at a temperature of 25°C (77°F) or longer when the temperature is lower.

While PENEBAR™ PRIMER is still tacky, install PENEBAR™ SW by firmly pressing the entire length of the preformed joint sealer onto the primer. For vertical and overhead applications, press firmly for at least 10 seconds.

PENEBAR™ SW should be installed while PENEBAR™ PRIMER is tacky and within 3 hours after the primer has dried. If PENEBAR™ SW is not installed within 3 hours, reapply an additional coat of PENEBAR™ PRIMER.

CLEAN UP

Use soap and water to clean all tools immediately after use.

PACKAGING

3.8-l (1-gal) containers
16 oz containers

STORAGE / SHELF LIFE

When stored in a dry enclosed area off the ground at a minimum temperature of 7°C (45°F) in unopened, undamaged containers, shelf life is 12 months. DO NOT ALLOW TO FREEZE.

SPECIAL CONSIDERATIONS

- Consult Penetron Technical Department for other usage of PENEBAR™ PRIMER
- PENEBAR™ PRIMER should be applied to the substrate with a brush prior to installation of PENEBAR™ SW preformed joint sealer.

SAFE HANDLING INFORMATION

For further information, please refer to Safety Data Sheet. KEEP OUT OF REACH OF CHILDREN.

WARRANTY: PENETRON INTERNATIONAL, LTD. warrants that the products manufactured by it shall be free from material defects and will conform to formulation standards and contain all components in their proper proportion. Should any of the products be proven defective, the liability to PENETRON INTERNATIONAL, LTD. shall be limited to replacement of the material proven to be defective, and PENETRON INTERNATIONAL, LTD shall in no case be liable otherwise or for incidental or consequential damages. PENETRON INTERNATIONAL, LTD. MAKES NO WARRANTY AS TO MERCHANTABILITY OR FITNESS FOR A PARTICULAR PURPOSE AND THIS WARRANTY IS IN LIEU OF ALL OTHER WARRANTIES EXPRESSED OR IMPLIED. User shall determine the suitability of the product for its intended use and assume all risks and liability in connection therewith.

PENEBAR™ SW-55

CONCRETE JOINT WATERSTOP

DESCRIPTION

PENEBAR™ SW-55 is a bentonite infused butyl rubber waterstop developed to stop water penetration through cast-in-place concrete joints by expanding in a controlled fashion when exposed to water and making a positive seal inside and against the concrete. Its superior ability to expand and seal concrete joints allows it to replace the more passive tied in PVC waterstop systems and eliminate welding irons, split-forming and special shapes.

APPLICATIONS

PENEBAR™ SW-55 can be applied to non-moving, concrete construction joints for both horizontal and vertical applications. It can be used on new or existing concrete, irregular surfaces and through-wall or slab penetrations, such as pipes, utility lines, piling and steel members.

Other typical applications that are ideal for PENEBAR™ SW-55 are: underground structures, basements, precast panels, tunnels, manholes, lift pits, retaining walls, concrete pipes and storage tanks.

PHYSICAL PROPERTIES

Color: Black

Specific gravity (ASTM D71): 1.55 ± 0.05

Volatile matter (ASTM D6): 1% maximum

Penetration, 150 g cone @ 25°C (77°F); 5 sec (ASTM D217): 40 ± 5 mm

Application temperature range: -23°C to 52°C (-9°F to 126°F)

Service temperature range: -34°C to 82°C (-29°F to 180°F)

STANDARD

Complies and meets the requirements to EU REACH Regulation (EC) No 1907/2006 Article 33(1) Obligation to provide information of safe use (see REACH requirement in report for details).

PACKAGING

Type A is packaged 30 meters/carton (6 rolls, 19 mm × 25 mm × 5 m each).

Type B is packaged 24 meters/carton (6 rolls, 9 mm × 25 mm × 4 m each).

DIRECTIONS FOR USE

1) Apply PENEBAR™ PRIMER by using brush at a minimum of 0.1 mm (4 mils) thick by 50 mm (2") wide over the entire surface length to receive PENEBAR™ SW-55. Allow it to dry for 10-15 min at a temperature of 25°C (77°F), or where the temperatures are low, allow it to dry for a longer time.

2) By using the heel of the hand and moderate pressure, press a bead of PENEBAR™ SW-55 firmly into position on the standing structure. Make sure the product has bonded with the primed area.

3) Where required, splice ends to form a continuous, uninterrupted seal. For best results, cut each end at opposite 45° angles and tightly butt ends together. DO NOT OVERLAP ENDS. Gently knead the spliced ends, creating an uninterrupted seal.

4) Peel the protective covering from the exposed side of the installed PENEBAR™ SW-55.

5) Follow standard concrete placing procedures from here onwards.

SPECIAL CONSIDERATIONS

- Always use PENEBAR™ PRIMER to ensure tight adhesion and to aid in preventing PENEBAR™ SW-55 from moving during the concrete pour. For vertical surfaces, nails may be used to hold the product in place in conjunction with PENEBAR™ PRIMER.
- PENEBAR™ SW-55 should be used at a minimum depth of 50 mm (2") inside the concrete.
- When used on pipes and other structural penetrations, PENEBAR™ SW-55 should be cut to measured length and placed around the penetration with ends butted.
- In all cases, PENEBAR™ SW-55 should be in direct contact with the substrate along the entire length of the installation.
- PENEBAR™ SW-55 is not an expansion joint sealant and is only suitable for non-moving concrete joints.
- PENEBAR™ SW-55 should not be installed in standing water or on frozen or icy surfaces.

STORAGE / SHELF LIFE

When stored in a dry enclosed area off the ground at a minimum temperature of 7°C (45°F) in unopened, undamaged cartons, shelf life is unlimited.

SAFE HANDLING INFORMATION

Keep out of reach of children. Refer to the Safety Data Sheet for additional information.

WARRANTY: PENETRON INTERNATIONAL, LTD. warrants that the products manufactured by it shall be free from material defects and will conform to formulation standards and contain all components in their proper proportion. Should any of the products be proven defective, the liability to PENETRON INTERNATIONAL, LTD. shall be limited to replacement of the material proven to be defective, and PENETRON INTERNATIONAL, LTD shall in no case be liable otherwise or for incidental or consequential damages. PENETRON INTERNATIONAL, LTD. MAKES NO WARRANTY AS TO MERCHANTABILITY OR FITNESS FOR A PARTICULAR PURPOSE AND THIS WARRANTY IS IN LIEU OF ALL OTHER WARRANTIES EXPRESSED OR IMPLIED. User shall determine the suitability of the product for its intended use and assume all risks and liability in connection therewith.

PENETRON INTERNATIONAL, LTD.

45 Research Way, Suite 203, East Setauket, NY 11733
(631) 941-9700 • info@penetron.com • penetron.com